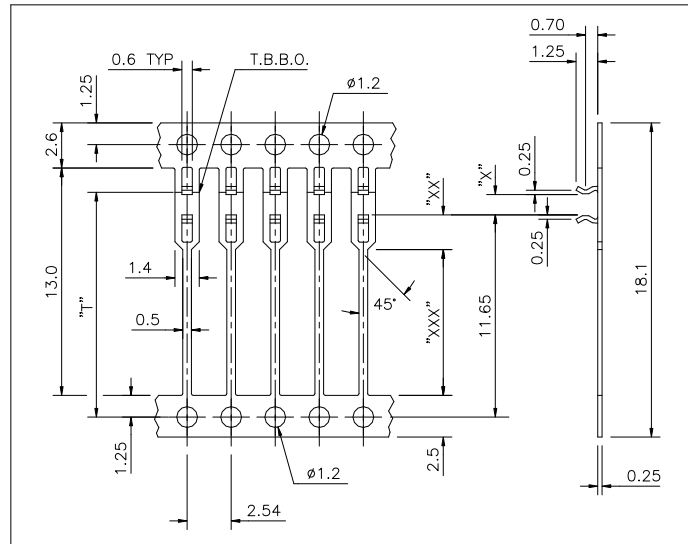


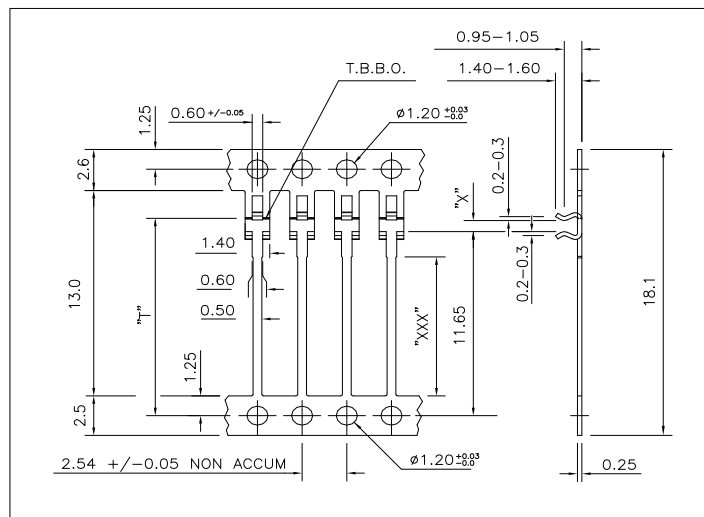
BA 3500 Series



All Dimensions in mm

Ordering Information						Technical Information						
Part Number	Top Bar Dim T	Bottom Bar Dim B	Plating Code	Qty per Reel	Wind Style	Material Thickness	Substrate Size	Gap Size Dim X	Stand Off Dim XX	Pin Length Dim XXX	Clip Length	MOQ
BA3500	12.31 (TE)	none (BZ)	1A / 4A	50K (F)	5 to 8	0.25	0.62-0.70	0.55	2.00	8.40	1.25	1 Reel
	12.31 (TE)	11.60 (BP)	1A / 4A	50K (F)	5 to 8	0.25	0.62-0.70	0.55	2.00	8.40	1.25	1 Reel
BA3501	12.49 (TF)	none (BZ)	1A / 4A	50K (F)	5 to 8	0.25	0.79-0.87	0.71	2.00	8.40	1.25	1 Reel
	12.49 (TF)	11.60 (BP)	1A / 4A	50K (F)	5 to 8	0.25	0.79-0.87	0.71	2.00	8.40	1.25	1 Reel
BA3502	12.70 (TG)	none (BZ)	1A / 4A	50K (F)	5 to 8	0.25	1.00-1.08	0.93	2.00	8.40	1.25	1 Reel
	12.70 (TG)	11.60 (BP)	1A / 4A	50K (F)	5 to 8	0.25	1.00-1.08	0.93	2.00	8.40	1.25	1 Reel
BA3503	12.95 (TH)	none (BZ)	1A / 4A	50K (F)	5 to 8	0.25	1.25-1.32	1.18	2.00	8.40	1.25	500,000
	12.95 (TH)	11.60 (BP)	1A / 4A	50K (F)	5 to 8	0.25	1.25-1.32	1.18	2.00	8.40	1.25	500,000

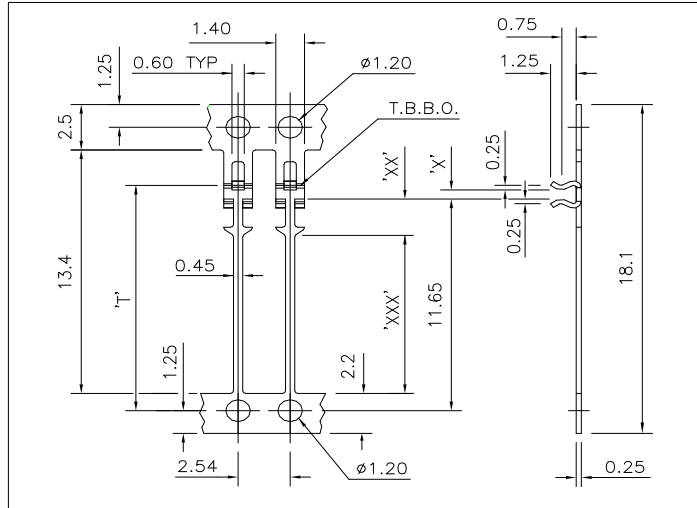
BA 3510 Series



All Dimensions in mm

Ordering Information						Technical Information						
Part Number	Top Bar Dim T	Bottom Bar Dim B	Plating Code	Qty per Reel	Wind Style	Material Thickness	Substrate Size	Gap Size Dim X	Stand Off Dim XX	Pin Length Dim XXX	Clip Length	MOQ
BA3510	12.31 (TE)	none (BZ)	1A / 4A	50K (F)	5 to 8	0.25	0.62-0.70	0.55		8.80	1.25	1 Reel
BA3511	12.49 (TF)	none (BZ)	1A / 4A	50K (F)	5 to 8	0.25	0.79-0.87	0.71		8.80	1.25	500,000
BA3512	12.70 (TG)	none (BZ)	1A / 4A	50K (F)	5 to 8	0.25	1.00-1.08	0.93		8.80	1.25	500,000
BA3513	12.95 (TH)	none (BZ)	1A / 4A	50K (F)	5 to 8	0.25	1.25-1.32	1.18		8.80	1.25	500,000

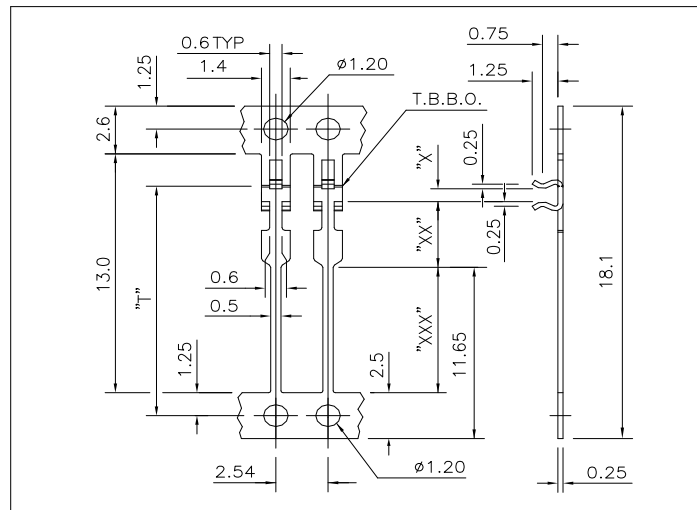
BA 3540 Series



All Dimensions in mm

Ordering Information						Technical Information						
Part Number	Top Bar Dim T	Bottom Bar Dim B	Plating Code	Qty per Reel	Wind Style	Material Thickness	Substrate Size	Gap Size Dim X	Stand Off Dim XX	Pin Length Dim XXX	Clip Length	MOQ
BA3540	12.70 (TG)	none (BZ)	1A / 4A	50K (F)	5 to 8	0.25	0.62-0.70	0.52	2.00	8.70	1.25	500,000

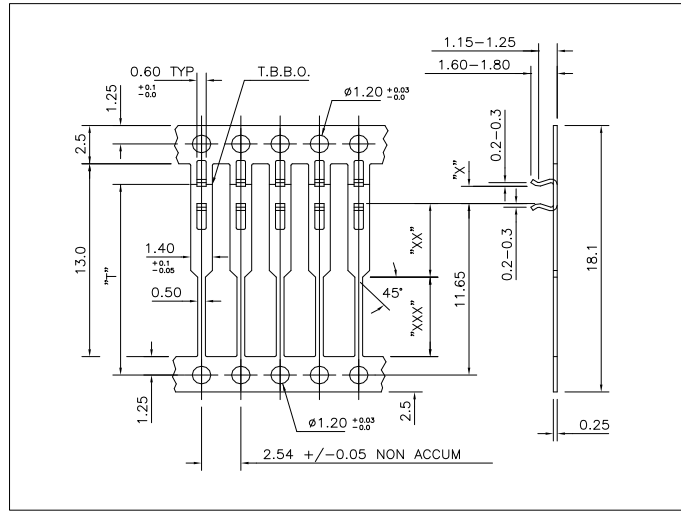
BA 3560 Series



All Dimensions in mm

Ordering Information						Technical Information						
Part Number	Top Bar Dim T	Bottom Bar Dim B	Plating Code	Qty per Reel	Wind Style	Material Thickness	Substrate Size	Gap Size Dim X	Stand Off Dim XX	Pin Length Dim XXX	Clip Length	MOQ
BA3560	12.31 (TE)	none (BZ)	1A / 4A	50K (F)	5 to 8	0.25	0.62-0.70	0.52	3.50	7.00	1.25	500,000
BA3561	12.49 (TF)	none (BZ)	1A / 4A	50K (F)	5 to 8	0.25	0.79-0.87	0.70	3.50	7.00	1.25	500,000
BA3562	12.70 (TG)	none (BZ)	1A / 4A	50K (F)	5 to 8	0.25	1.00-1.08	0.93	3.50	7.00	1.25	500,000
BA3563	12.95 (TH)	none (BZ)	1A / 4A	50K (F)	5 to 8	0.25	1.25-1.32	1.18	3.50	7.00	1.25	500,000

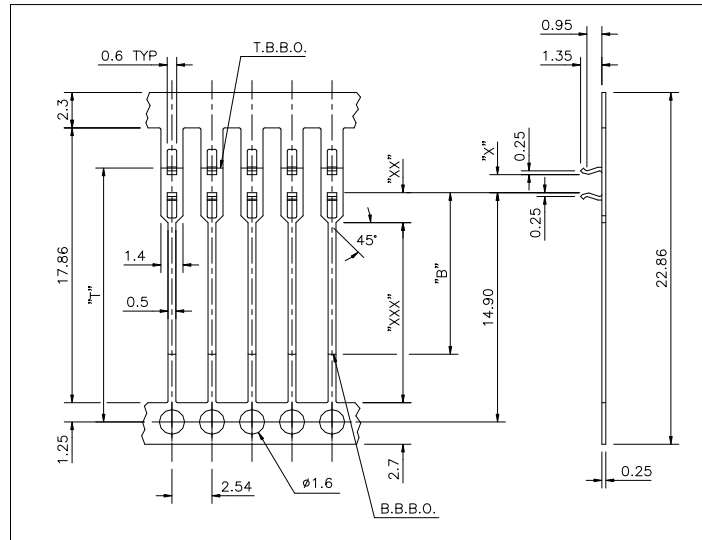
BA 3610 Series



All Dimensions in mm

Ordering Information						Technical Information						
Part Number	Top Bar Dim T	Bottom Bar Dim B	Plating Code	Qty per Reel	Wind Style	Material Thickness	Substrate Size	Gap Size Dim X	Stand Off Dim XX	Pin Length Dim XXX	Clip Length	MOQ
BA3610	12.31 (TE)	None (BZ)	4A	40K (E)	5 to 8	0.25	0.62-0.70	0.53	5.00	5.40	1.45	480,000
BA3611	12.70 (TG)	None (BZ)	4A	40K (E)	5 to 8	0.25	1.00-1.08	0.90	5.00	5.40	1.45	480,000

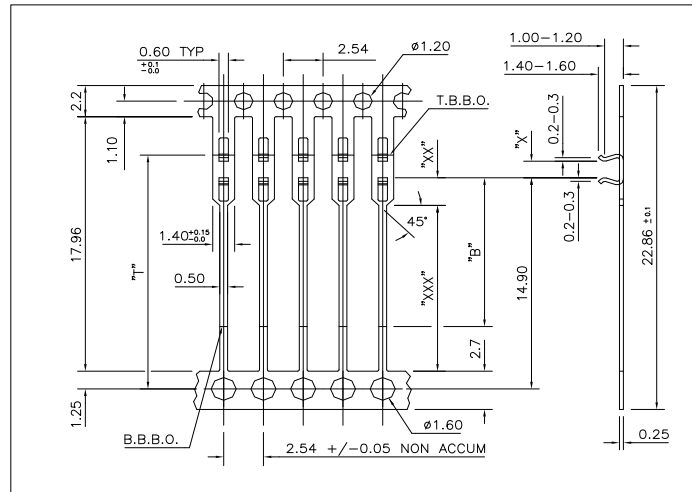
BA 3700 Series



All Dimensions in mm

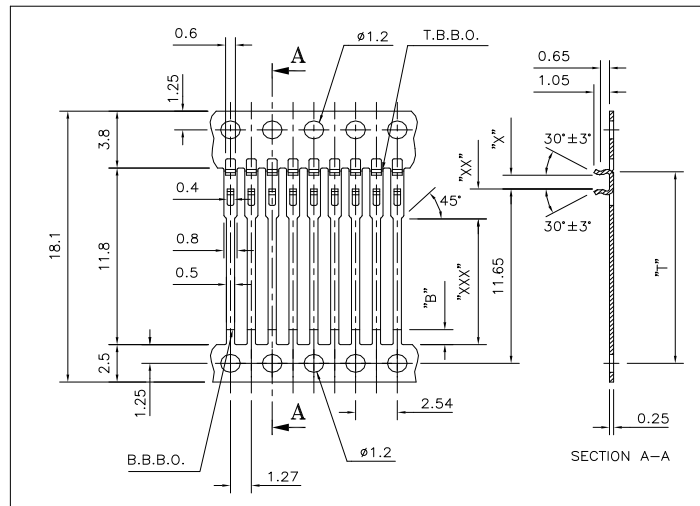
Ordering Information						Technical Information						MOQ
Part Number	Top Bar Dim T	Bottom Bar Dim B	Plating Code	Qty per Reel	Wind Style	Material Thickness	Substrate Size	Gap Size Dim X	Stand Off Dim XX	Pin Length Dim XXX	Clip Length	
BA3700	15.86 (TM)	none (BZ)	4A	50K (F)	5 to 8	0.25	0.58-0.70	0.54	2.00	11.70	1.35	500,000
	15.86 (TM)	10.50 (BL)	4A	50K (F)	5 to 8	0.25	0.58-0.70	0.54	2.00	11.70	1.35	500,000
BA3701	16.23 (TN)	none (BZ)	4A	50K (F)	5 to 8	0.25	1.00-1.08	0.90	2.00	11.70	1.35	500,000
	16.23 (TN)	10.50 (BL)	4A	50K (F)	5 to 8	0.25	1.00-1.08	0.90	2.00	11.70	1.35	500,000
BA3702	17.53 (TO)	none (BZ)	4A	50K (F)	5 to 8	0.25	2.21-2.34	2.12	2.00	11.70	1.35	500,000
	17.53 (TO)	10.50 (BL)	4A	50K (F)	5 to 8	0.25	2.21-2.34	2.12	2.00	11.70	1.35	500,000
BA3703	18.03 (TR)	none (BZ)	4A	50K (F)	5 to 8	0.25	2.46-2.59	2.37	2.00	11.70	1.35	500,000
	18.03 (TR)	10.50 (BL)	4A	50K (F)	5 to 8	0.25	2.46-2.59	2.37	2.00	11.70	1.35	500,000
BA3704	18.03 (TR)	none (BZ)	4A	50K (F)	5 to 8	0.25	2.71-2.85	2.62	2.00	11.70	1.35	500,000
	18.03 (TR)	10.50 (BL)	4A	50K (F)	5 to 8	0.25	2.71-2.85	2.62	2.00	11.70	1.35	500,000
BA3707	18.22 (TT)	none (BZ)	4A	50K (F)	5 to 8	0.25	3.00-3.10	2.90	2.00	11.70	1.35	500,000
	18.22 (TT)	10.50 (BL)	4A	50K (F)	5 to 8	0.25	3.00-3.10	2.90	2.00	11.70	1.35	500,000

BA 3760 Series



Ordering Information						Technical Information						
Part Number	Top Bar Dim T	Bottom Bar Dim B	Plating Code	Qty per Reel	Wind Style	Material Thickness	Substrate Size	Gap Size Dim X	Stand Off Dim XX	Pin Length Dim XXX	Clip Length	MOQ
BA3760	16.75 (TU)	none (BZ)	4A	50K (F)	5 to 8	0.25	1.52-1.65	1.42	2.00	11.70	1.25	500,000
	16.75 (TU)	10.50 (BL)	4A	50K (F)	5 to 8	0.25	1.52-1.65	1.42	2.00	11.70	1.25	500,000

BA 6600 Series



Ordering Information						Technical Information						
Part Number	Top Bar Dim T	Bottom Bar Dim B	Plating Code	Qty per Reel	Wind Style	Material Thickness	Substrate Size	Gap Size Dim X	Stand Off Dim XX	Pin Length Dim XXX	Clip Length	MOQ
BA6600	12.49 (TF)	none (BZ)	4A	80K (G)	5 to 8	0.25	0.62-0.68	0.56	2.00	8.40	1.05	480,000
BA6601	12.63(TX)	none (BZ)	4A	80K (G)	5 to 8	0.25	0.77-0.85	0.70	2.00	8.40	1.05	480,000
BA6602	12.85(TY)	none (BZ)	4A	80K (G)	5 to 8	0.25	1.00-1.08	0.92	2.00	8.40	1.05	480,000